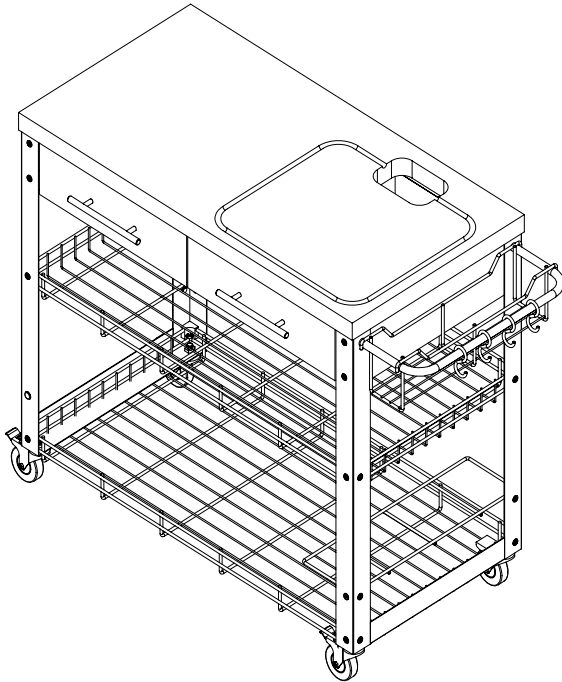


CHELF KITCHEN WORK STATION #1900

ASSEMBLY INSTRUCTION

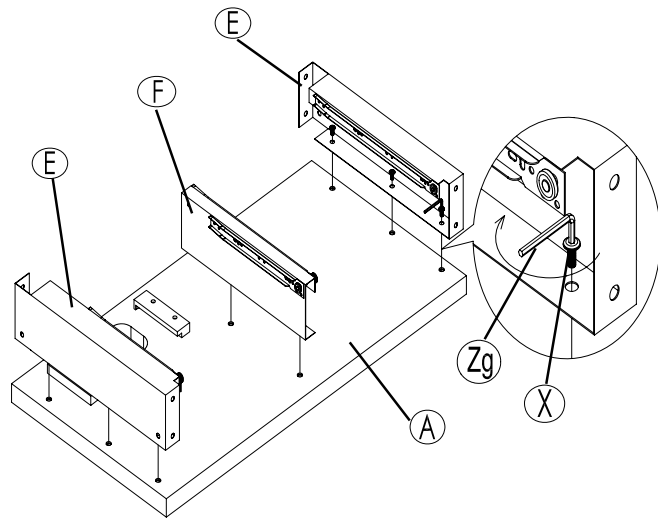


<p>A. TOP PANEL</p> <p>1 each</p>	<p>B. BASKET</p> <p>2 each</p>	<p>C. FRAME</p> <p>2 each</p>	<p>D. BACK PANEL</p> <p>1 each</p>
<p>E. WITH DRAWER GLIDES</p> <p>2 each</p>	<p>F. MIDDLE DRAWER RAIL</p> <p>1 each</p>	<p>G. DRAWER FRONT</p> <p>2 each</p>	<p>H. DRAWER BACK</p> <p>2 each</p>
<p>I. LEFT/ RIGHT DRAWER</p> <p>2 each</p>	<p>J. LEFT / RIGHT DRAWER</p> <p>2 each</p>	<p>K. DRAWER BOTTOM FOR "I"</p> <p>1 each</p>	<p>L. DRAWER BOTTOM FOR "J"</p> <p>1 each</p>
<p>M. SPICE BAR</p> <p>5 each</p>	<p>N. TOWEL BAR</p> <p>1 each</p>	<p>O. TRASH RING</p> <p>1 each</p>	<p>P. BOTTOM RACK</p> <p>1 each</p>
<p>Q. SPEED RACK</p> <p>1 each</p>	<p>R. CHEF PAN</p> <p>1 each</p>	<p>S. "S" HOOK</p> <p>4 each</p>	<p>T. HADNLE</p> <p>2 each</p>

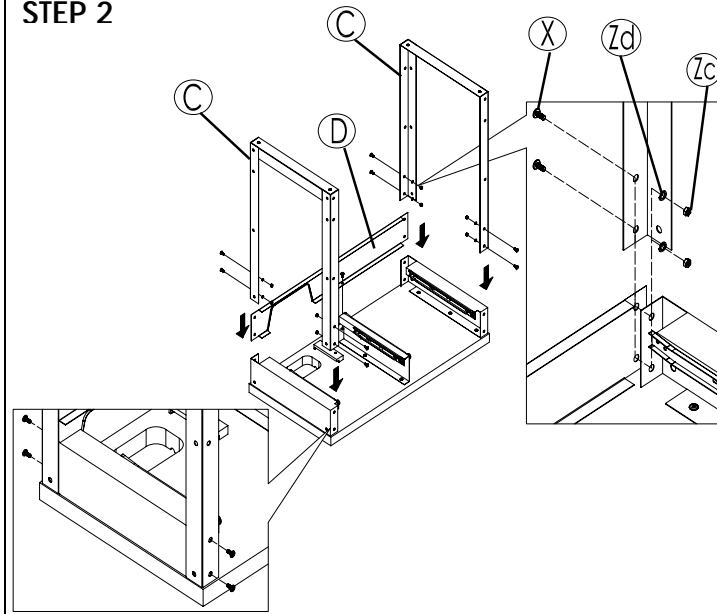
HARDWARE LIST

<p>U. BRAKE WHEEL</p> <p>2 each</p>	<p>V. WHEEL</p> <p>2 each</p>	<p>W. CORNER SUPPORT</p> <p>10 each</p>	<p>X. SCREW JCB</p> <p>41 each</p>	<p>Y. SCREW JP</p> <p>4 each</p>	<p>Z. SCREW</p> <p>8 each</p>	<p>Za. CAM SCREW</p> <p>8 each</p>	<p>Zb. CAM LOCK</p> <p>8 each</p>	<p>Zc. BOLT</p> <p>10 each</p>	<p>Zd. WASHER</p> <p>10 each</p>	<p>Ze. PLASTIC PLUG</p> <p>4 each</p>	<p>Zf. WRENCH</p> <p>1 each</p>	<p>Zg. ALLEN KEY</p> <p>1 each</p>
---	-------------------------------	---	------------------------------------	----------------------------------	-------------------------------	--	---------------------------------------	--------------------------------	----------------------------------	---	---------------------------------	------------------------------------

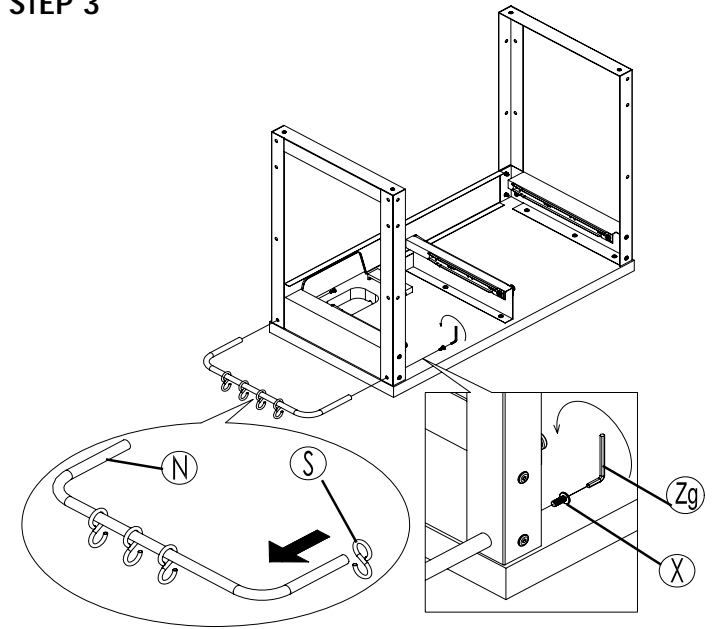
STEP 1



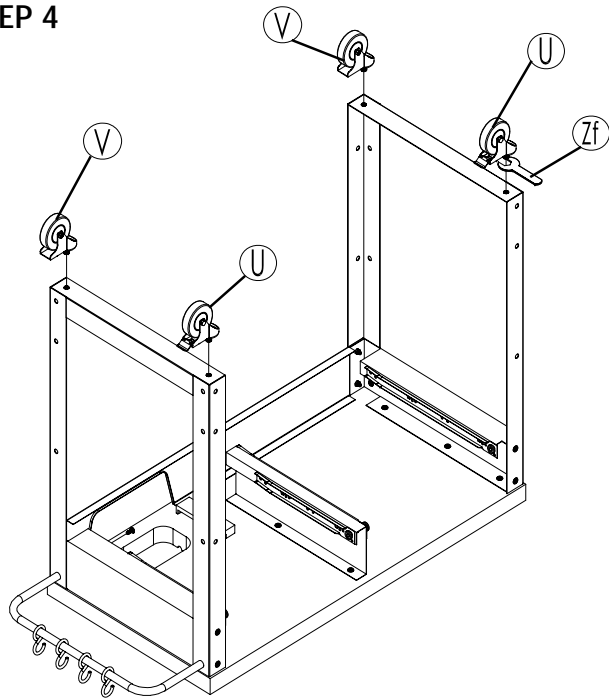
STEP 2



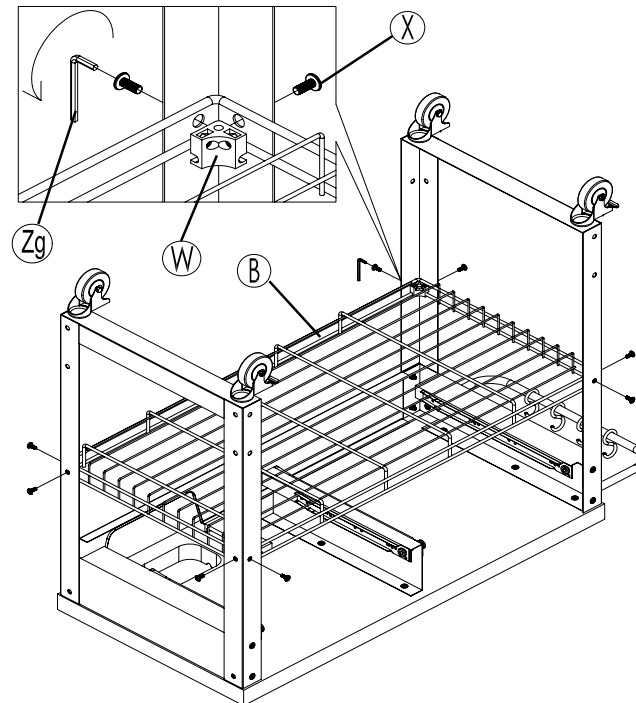
STEP 3



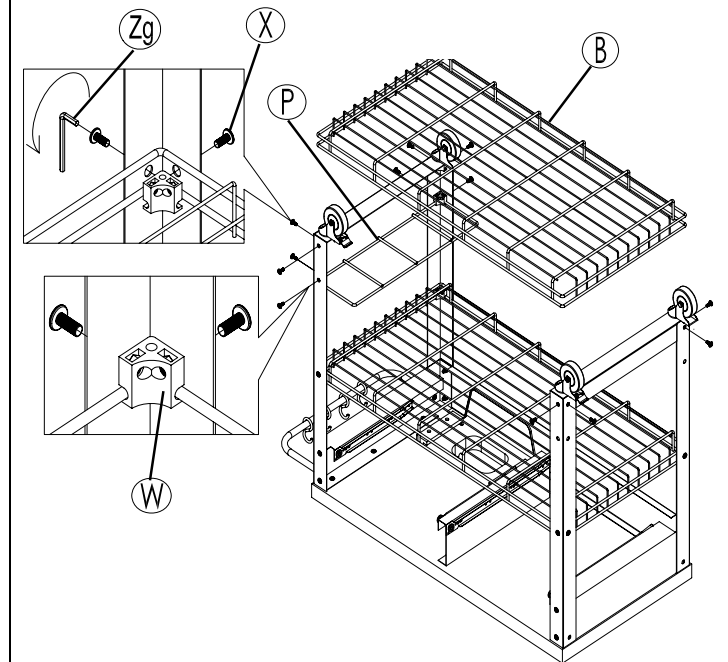
STEP 4

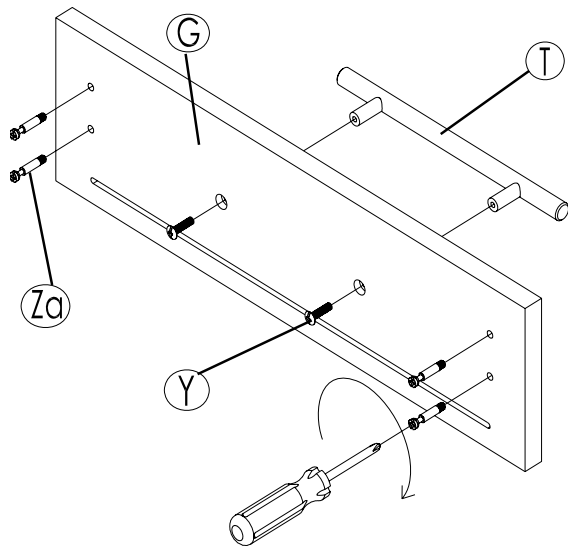
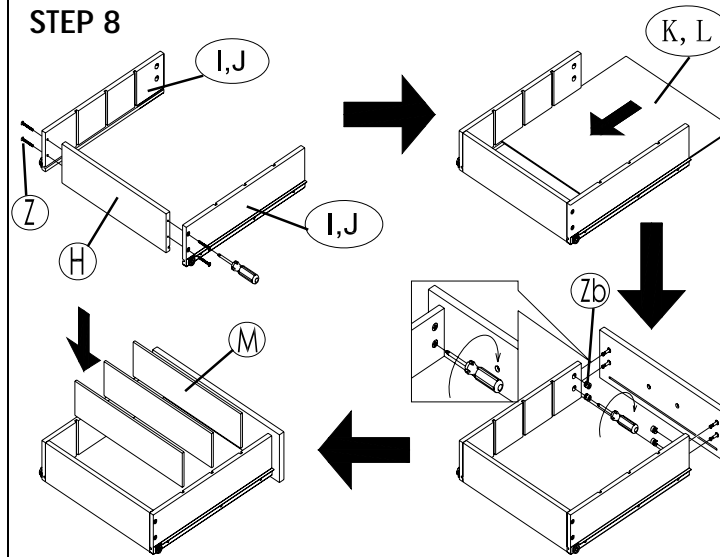


STEP 5

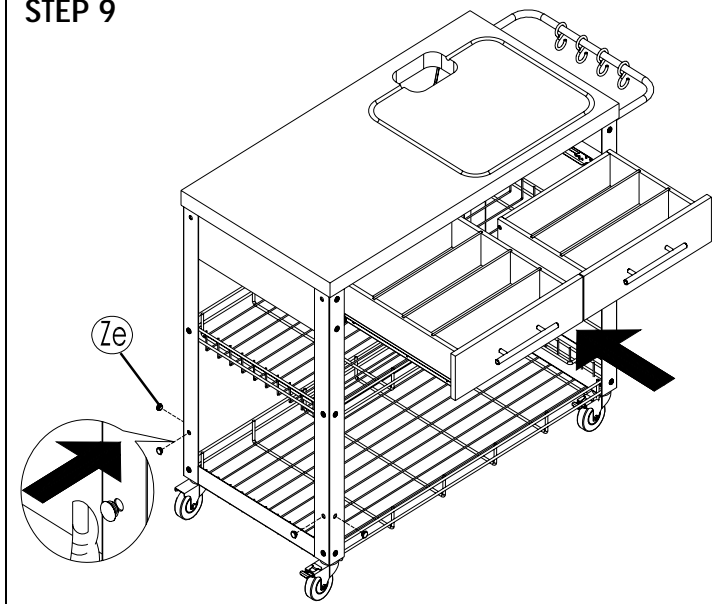
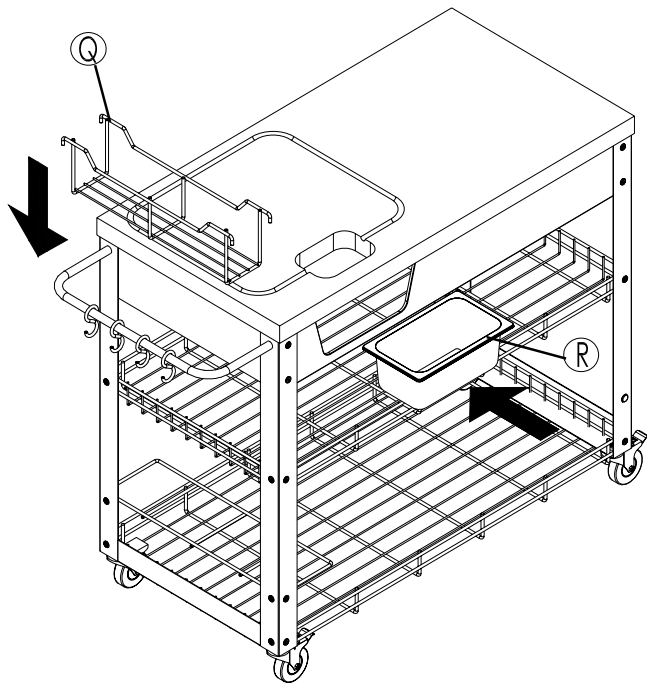


STEP 6



STEP 7**STEP 8**

Bottom Drawer(K) is fit for Side Drawer (I). Side Drawer (I) has 3Pcs of Spice Bar (M).
 Bottom Drawer(L) is fit for Side Drawer (J). Side Drawer (J) has 2Pcs of Spice Bar (M).

STEP 9**STEP 10****STEP 11**