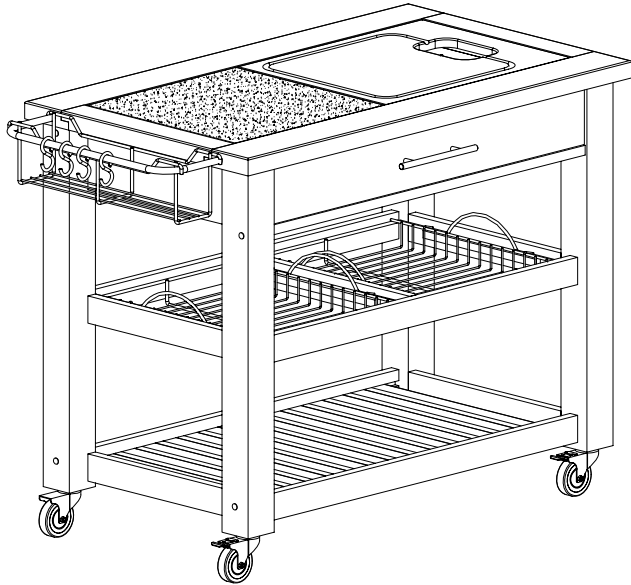


CHEF KITCHEN WORK STATION #1953

ASSEMBLY INSTRUCTION

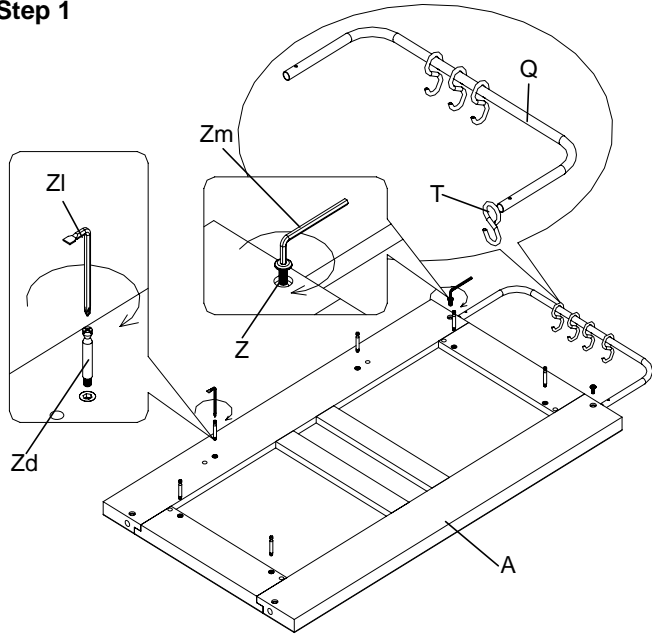


<p>A. TOP PANEL</p> <p>1 each</p>	<p>B. WOODEN SLAT SHELF</p> <p>1 each</p>	<p>C. SHELF SUPPORT</p> <p>1 each</p>	<p>D. LEFT / RIGHT FRAME</p> <p>2 each</p>	
<p>E. BEAM UNDER DRAWER</p> <p>1 each</p>	<p>F. BACK APRON</p> <p>1 each</p>	<p>G. DRAWER FRONT</p> <p>1 each</p>	<p>H. DRAWER BACK</p> <p>1 each</p>	
<p>I. DRAWER SUPPORT</p> <p>1 each</p>	<p>J. DRAWER SIDE</p> <p>2 each</p>	<p>K. DRAWER DIVIDERS</p> <p>2 each</p>	<p>L. DRAWER BOTTOM</p> <p>1 each</p>	
<p>M. COVER</p> <p>2 each</p>	<p>N. BASKET</p> <p>2 each</p>	<p>O. CHEF PAN</p> <p>1 each</p>	<p>P. SPEED RACK</p> <p>1 each</p>	
<p>Q. TOWEL BAR</p> <p>1 each</p>	<p>R. TRASH RING</p> <p>1 each</p>	<p>S. HANDLE</p> <p>1 each</p>	<p>T."S" HOOK</p> <p>4 each</p>	<p>U. KNIFE HOLDER</p> <p>1 each</p>

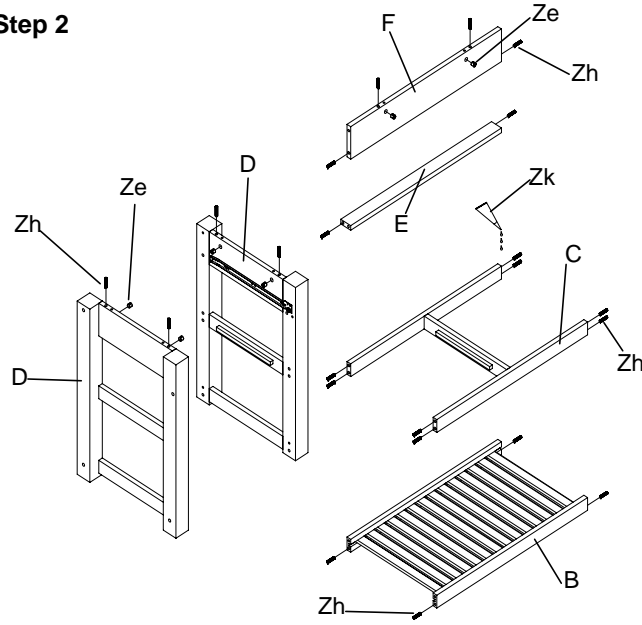
HARDWARE LIST

<p>V. BRAKE WHEEL</p> <p>2 each</p>	<p>W. WHEEL</p> <p>2 each</p>	<p>X. CHEF PAN SUPPORT</p> <p>8 each</p>	<p>Y. LARGE WOOD PLUG</p> <p>2 each</p> <p>Z. SCREW JCB</p> <p>2 each</p>	<p>Za. SCREW JCA</p> <p>8 each</p>	<p>Zb. SCREW JP</p> <p>2 each</p>	<p>Zc. SCREW</p> <p>4 each</p>	<p>Zd. CAM SCREW</p> <p>6 each</p>	<p>Ze. CAM LOCK</p> <p>6 each</p>	<p>Zf. CAM SCREW</p> <p>4 each</p>	<p>Zg. CAM LOCK</p> <p>4 each</p>	<p>Zh. WOODEN DOWEL</p> <p>22 each</p>	<p>Zi. WOODEN DOWEL</p> <p>8 each</p>	<p>Zj. WRENCH</p> <p>1 each</p>	<p>Zk. GLUE</p> <p>1 each</p>	<p>Zl. ALLEN KEY</p> <p>1 each</p>	<p>Zm. HEXAGONAL WRENCH</p> <p>1 each</p>	<p>Zn. SMALL WOOD PLUG</p> <p>8 each</p>	<p>Zo. SCREW</p> <p>4 each</p>
-------------------------------------	-------------------------------	--	---	------------------------------------	-----------------------------------	--------------------------------	------------------------------------	-----------------------------------	------------------------------------	-----------------------------------	--	---------------------------------------	---------------------------------	-------------------------------	------------------------------------	---	--	--------------------------------

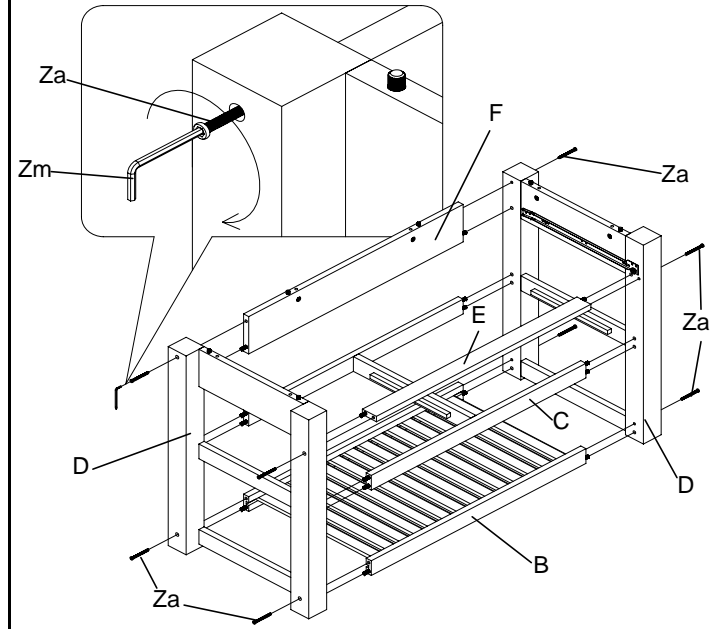
Step 1



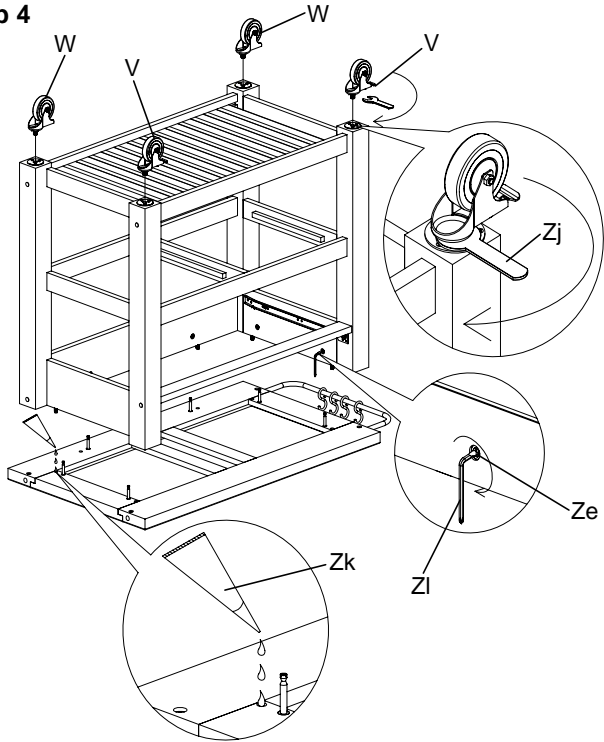
Step 2



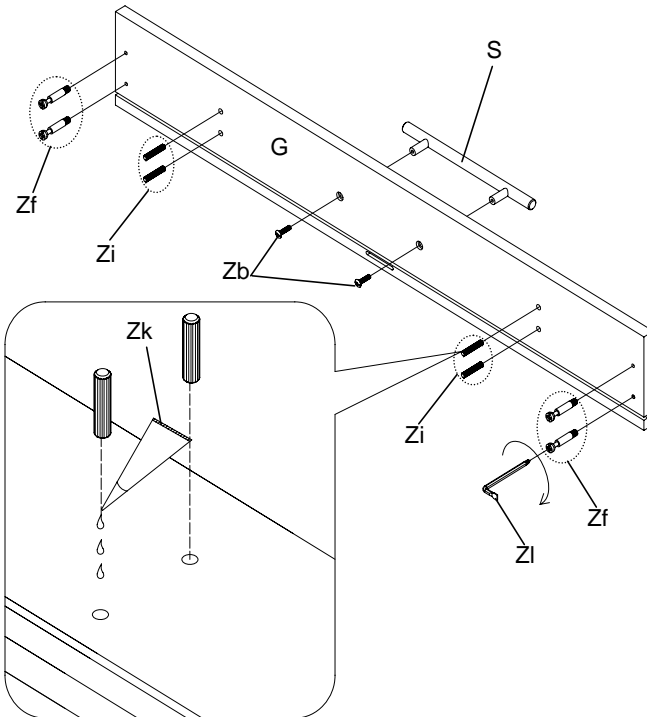
Step 3



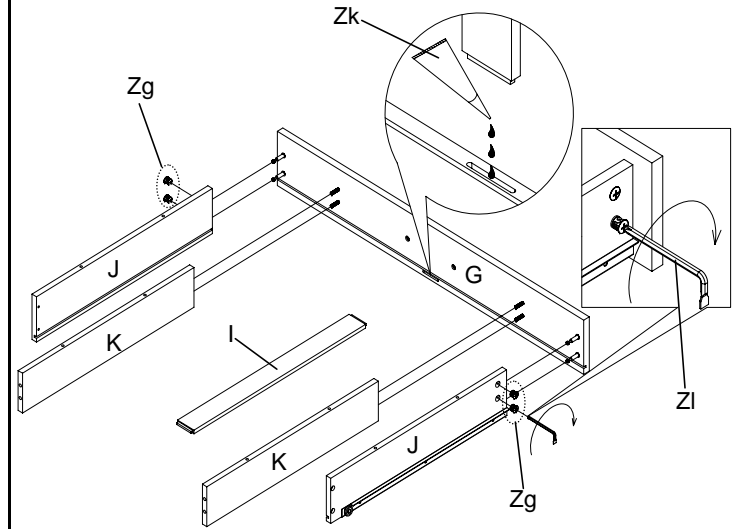
Step 4



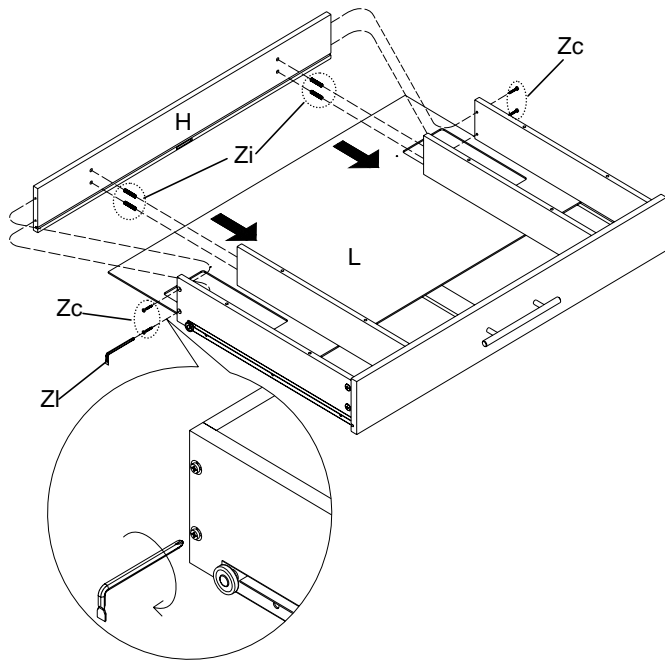
Step 5



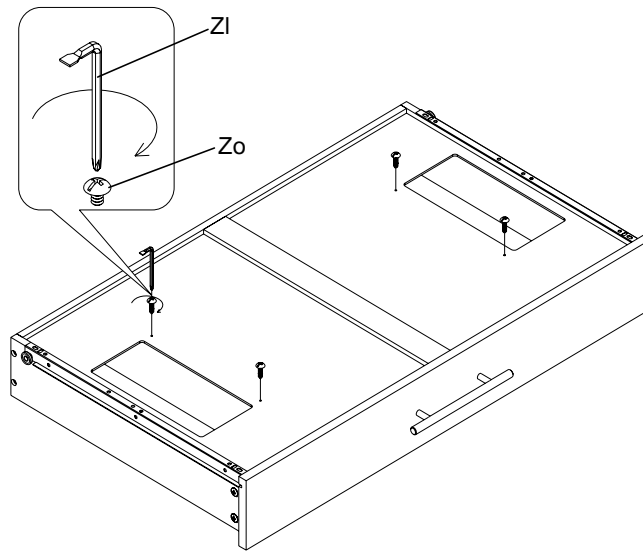
Step 6



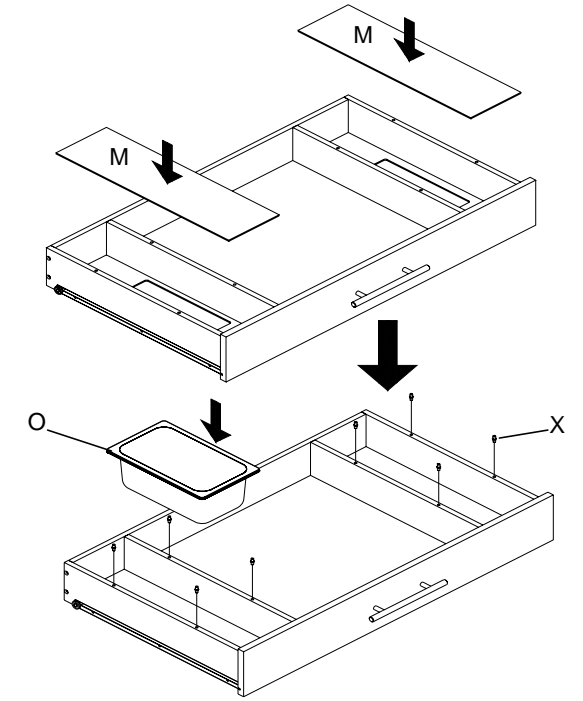
Step 7



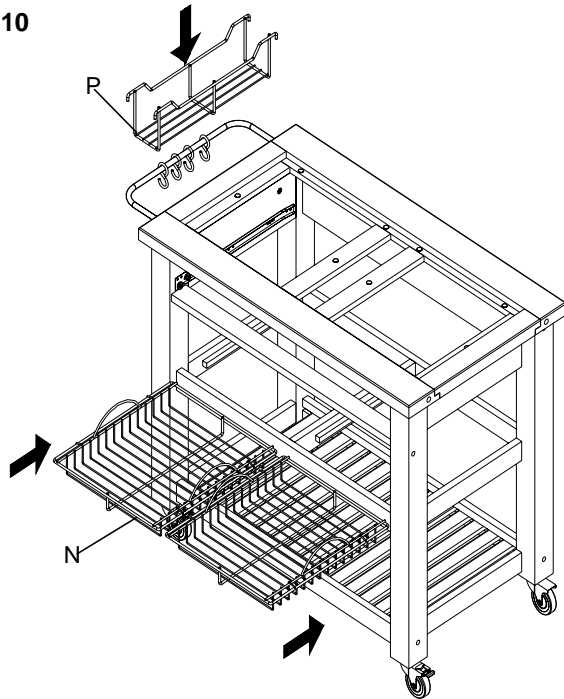
Step 8



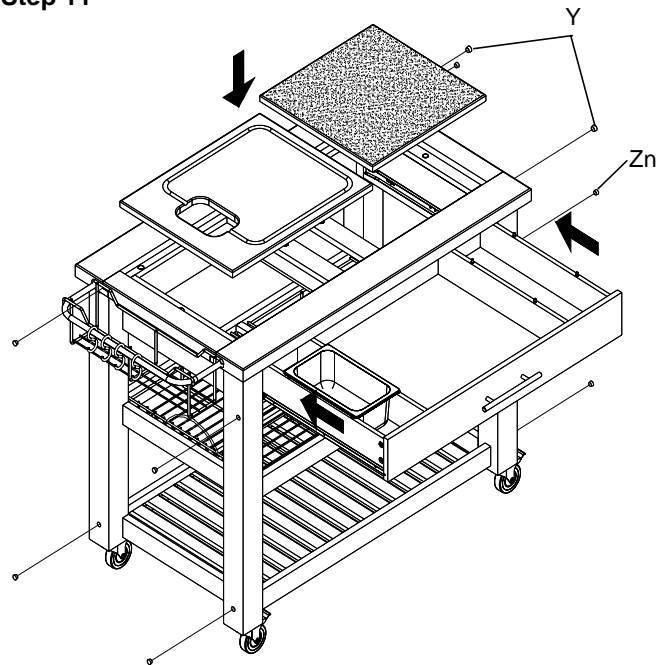
Step 9



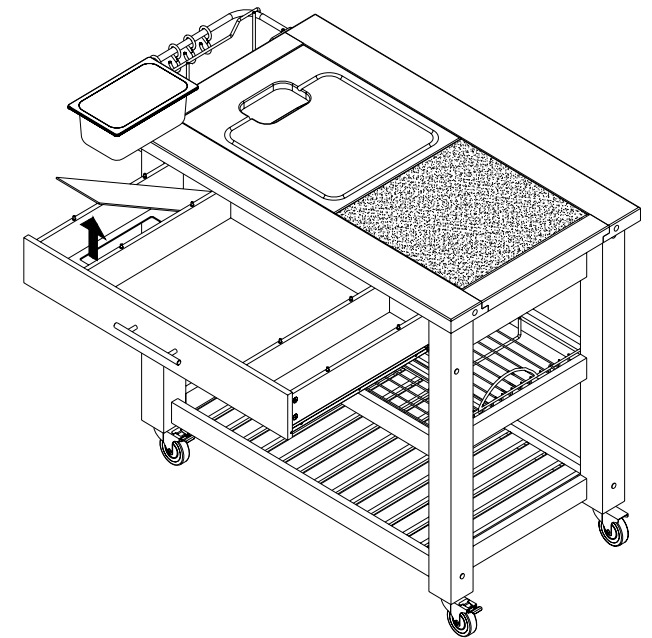
Step 10



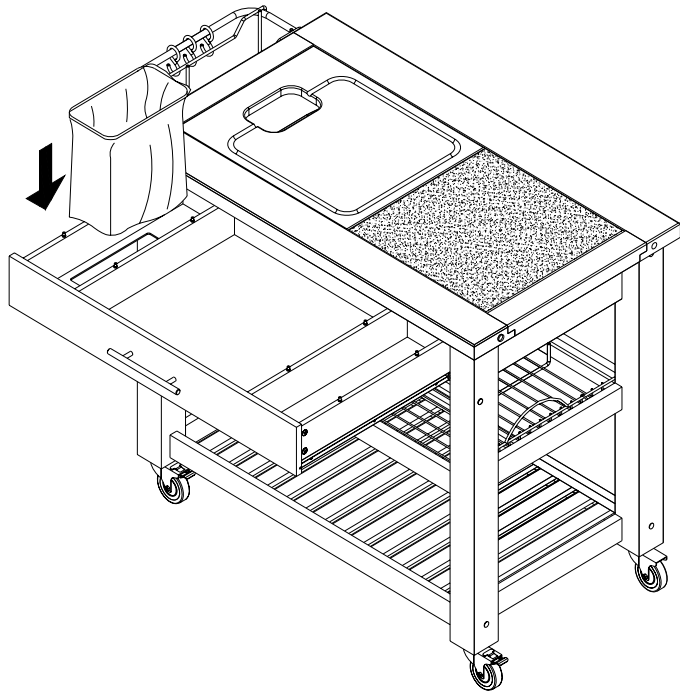
Step 11



Step 12



Step 13



Step 14

