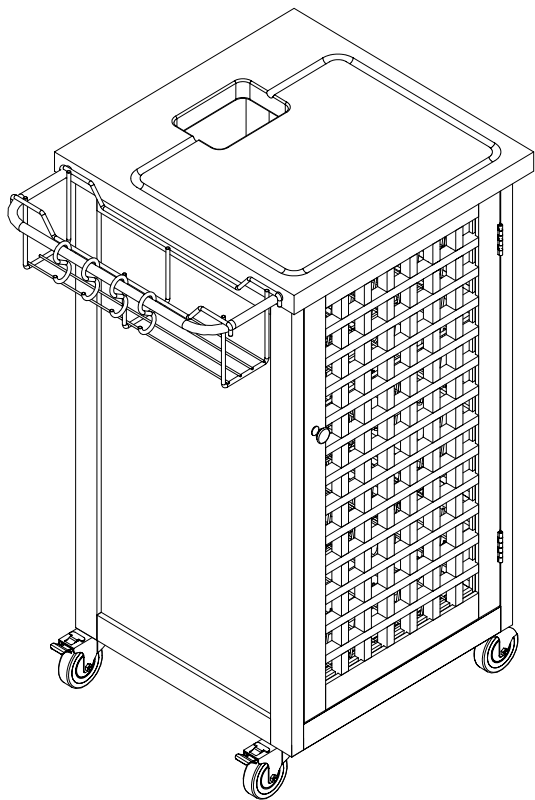
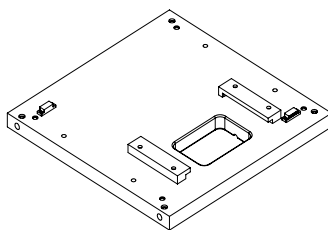


CHEF KITCHEN WORK STATION #1955

ASSEMBLY INSTRUCTION

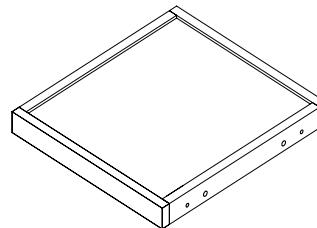


A. TOP PANEL



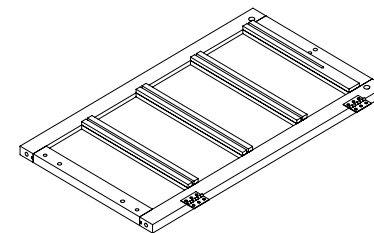
1 each

B. BASE PANEL



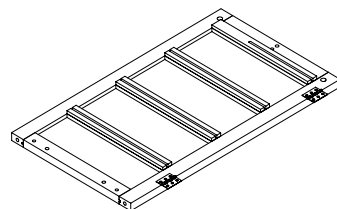
1 each

C. LEFT FRAME PANEL



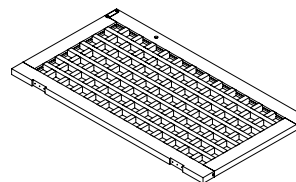
1 each

D. RIGHT FRAME PANEL



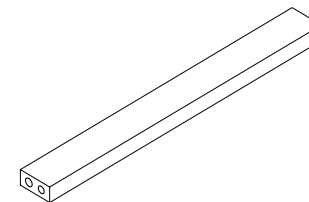
1 each

E. DOOR



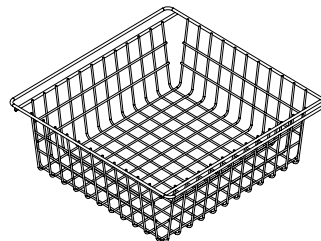
2 each

F. BAR



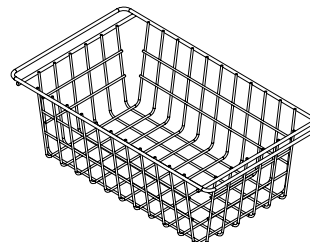
1 each

G. LARGE BASKET



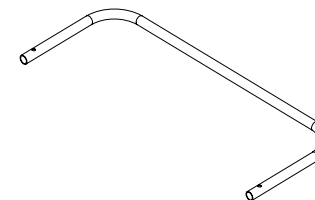
3 each

H. SMALL BASKET



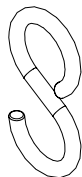
1 each

I. TOWEL BAR



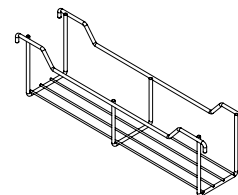
1 each

J. "S" HOOK



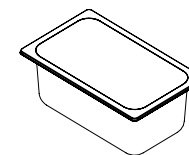
4 each

K. SPEED RACK



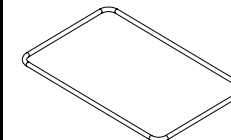
1 each

L. CHEF PAN



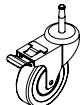
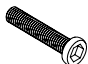









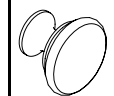
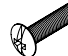


1 each

W. TRASH RING

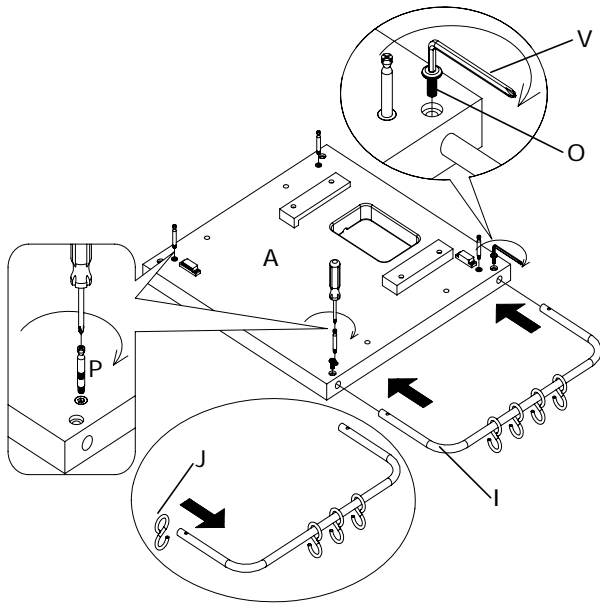


1 each

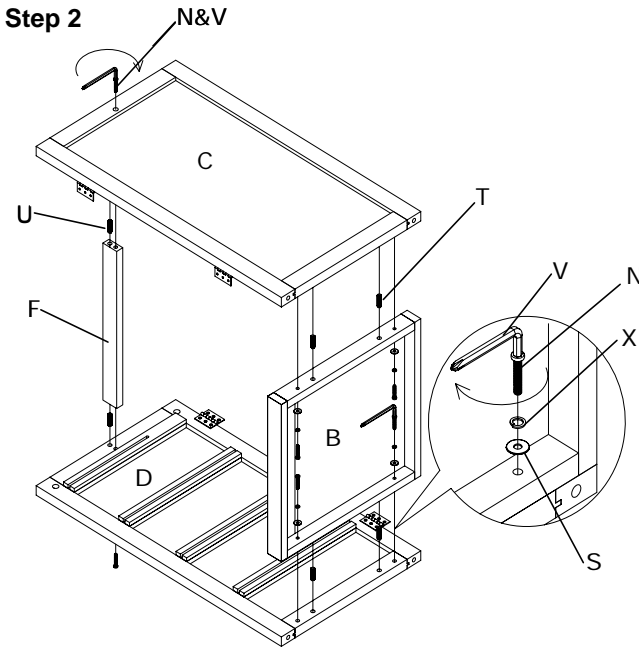
HARDWARE LIST

M. BRAKE WHEEL  4 each	N. SCREW JCA  6 each	O. SCREW JCB  2 each	P. CAM SCREW  4 each	Q. CAM LOCK  4 each	R. SCREW  12 each	S. WASHER  4 each	T. WOODEN DOWEL  4 each	U. WOODEN DOWEL  6 each	V. WRENCH  1 each	X. WASHER  4 each	Y. DOOR KNOB  2 each	Z. KNOB BOLT  2 each	Za. WOODEN CAP  2 each	Zb. WOODEN CAP  2 each
--	---	---	---	--	--	--	---	--	--	--	---	---	---	---

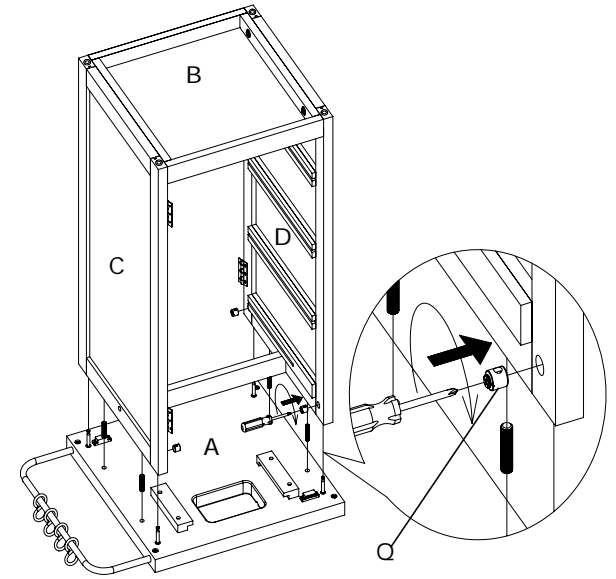
Step 1



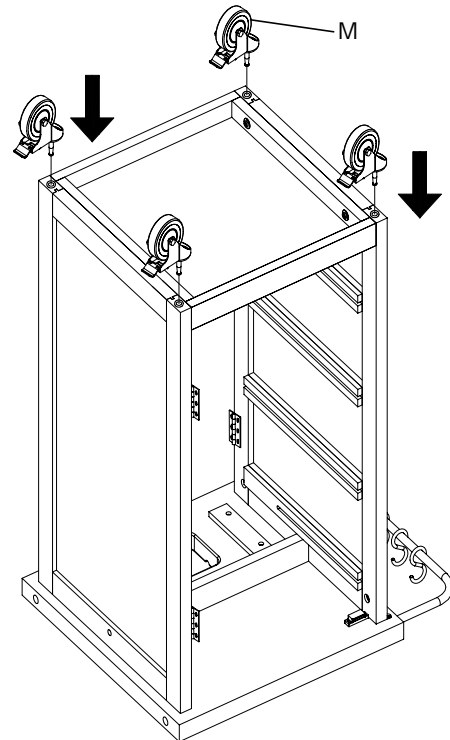
Step 2



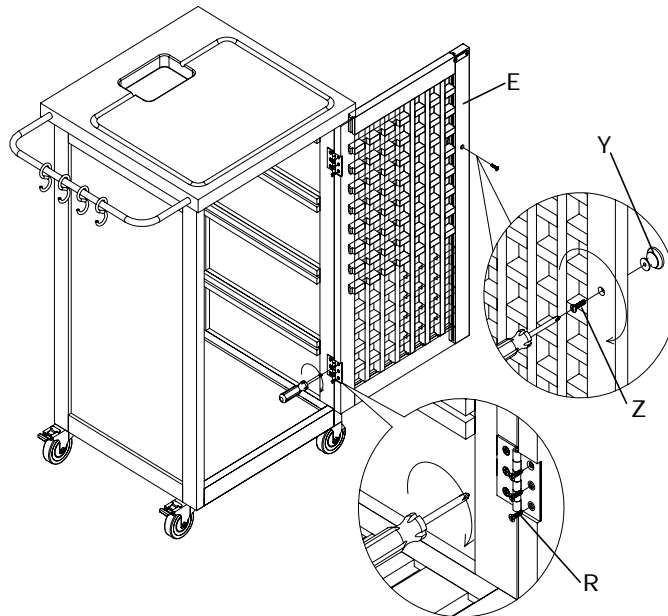
Step 3



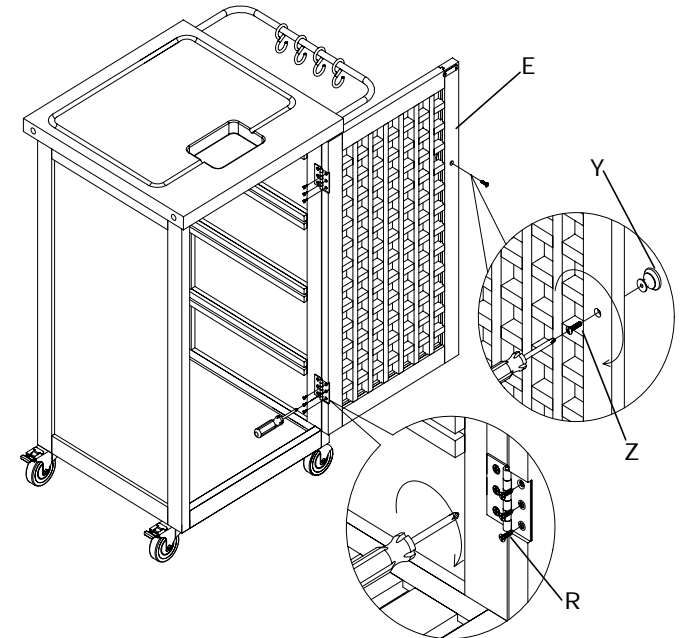
Step 4



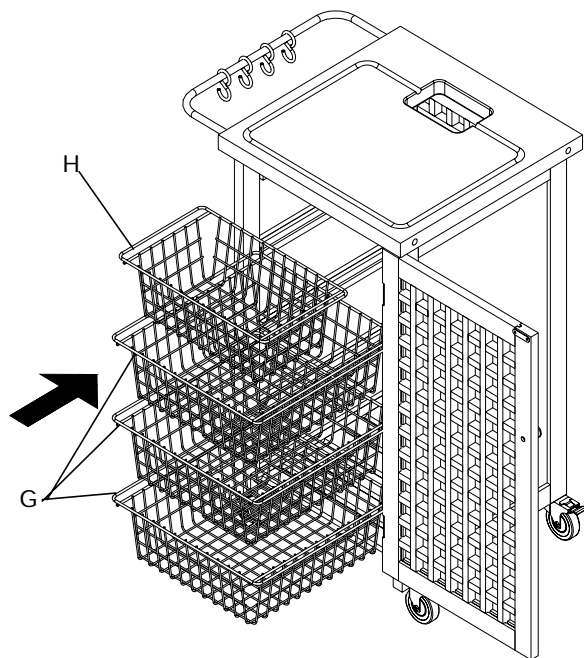
Step 5



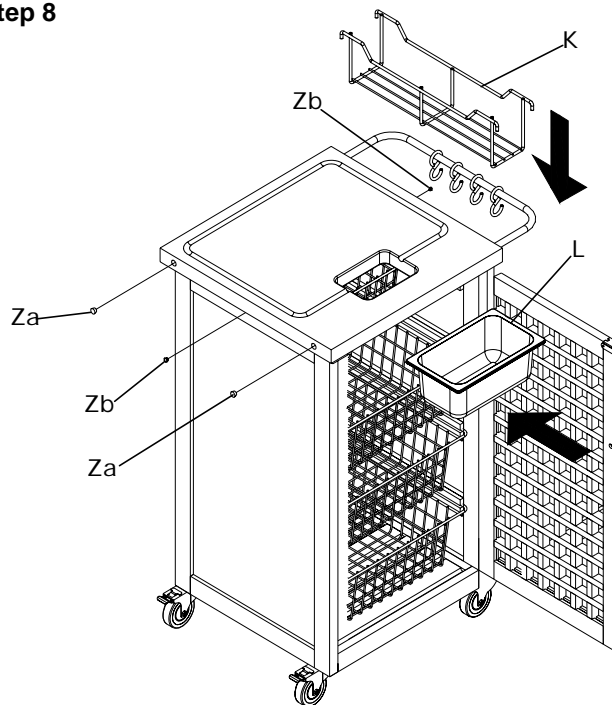
Step 6



Step 7



Step 8



Step 9

