



Thank you for purchasing the Chris & Chris Chef series kitchen work station.

With proper assembly, maintenance, and cleaning, your work station will give you many years of service.

NOTE: IF THERE ARE ANY PARTS MISSING; OR THERE IS SLIGHT SHIPPING DAMAGE TO YOUR UNIT, DO NOT RETURN TO THE STORE. PLEASE CONTACT OUR CUSTOMER SERVICE DEPT. FOR HELP, OR VISIT OUR WEBSITE FOR FURTHER INFORMATION.

CUSTOMER SERVICE: TOLL FREE NUMBER: 1-800-697-6212 C&C PIN # 00

E-MAIL: chrisandchris@aimcorpchas.com

WEBSITE: www.aimcorpchas.com

ASSEMBLY TIPS: 1955 “PRO CHEF” STORAGE WORK STATION

- > Unpack all parts carefully
- > Cover work surface with soft blanket or similar substance so as not to damage the unit or the work surface

- Step 1 >Lay top panel (A) upside down on a stable surface.
>Install 4 large cam screws (P) in the 4 threaded holes in top panel (A) using Philips head screw driver. (V)
>Slide the small side of the 4 “S” hooks (J) over the towel bar (I)
>Insert the towel bar (I) into the 2 holes in the end of the top panel (A). insert 2 allen screws (O) to secure the towel bar
- Step 2 >Lay left frame panel (C) on a flat surface with the basket slides facing up.
>Install base panel (B) to the bottom of Left Frame Panel (C) using Allen bolts (N), lock washers (X), and flat washers (S) SET UNIT UPRIGHT
>Install support bar (F) using Allen bolt (N) to left side panel (C).
>Now install right frame panel (D) to base panel (B) using Allen bolts (N), Lock washers (X) and flat washers (S) as above.
>Install support bar (F) to right frame panel (D) using Allen bolt (N)
- Step 3 > Place top panel (A) upside down on your work surface
>Insert Cam locks (Q) into the 4 holes near the top of the assembled unit from step 2 Make sure that the arrows on the cam locks are facing up towards the holes for the cam screws
>Place the assembled unit from Step 2 on top of top Panel (A) making sure to line up the cam screws(P) with the cam lock holes in the assembled unit. Tighten the cam locks by turning clockwise with wrench (V).
- Step 4 >Install the 4 braking casters (M) into the 4 holes on the bottom of the unit by pressing in firmly until they are seated .
- Step 5 >Install door (E) onto the front side of unit using 6 screws (R). The receiving area for the hinges is pre-notched so the doors will line up correctly. Make sure that the hole for the door knob (Y) is up. Attach door pull (Y) to door with bolt (Z)
- Step 6 >Repeat step 5 with opposite door on back side of unit.
- Step 7 > Place large baskets (G) in the 3 lower slides and small basket (H) in the upper slide.
- Steps 8, 9 > Tap with hammer handle, or rubber mallet, the 2 large wood plugs (Za) into the 2 remaining holes in top frame (A)
> Tap with hammer handle or rubber mallet, the 2 smaller wood plugs (Zb) into the holes to cover the

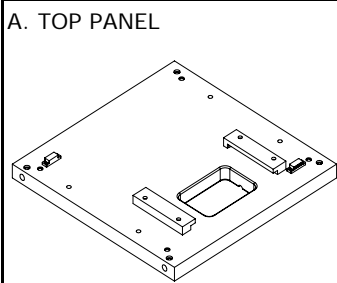
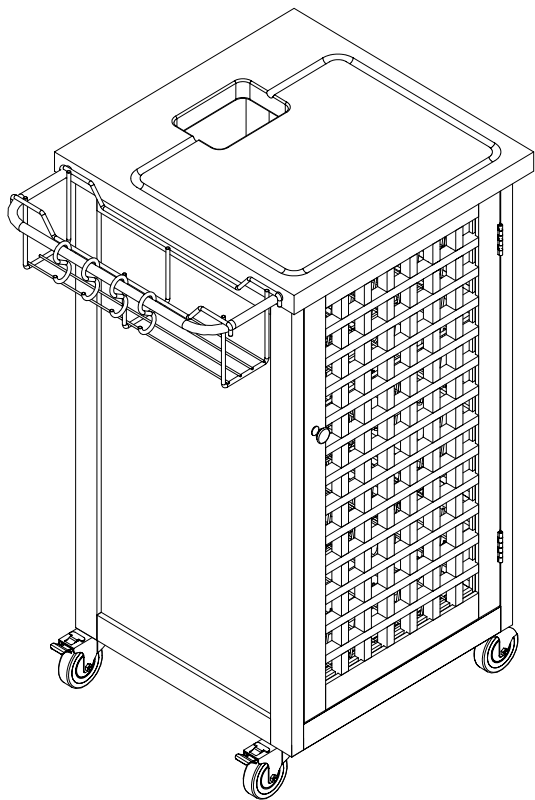
screws (N) of the left frame panel and right frame panel (C&D). Place chef pan (L) slides in the back side and can be interchanged with trash ring(W) as desired.

CONGRATULATIONS

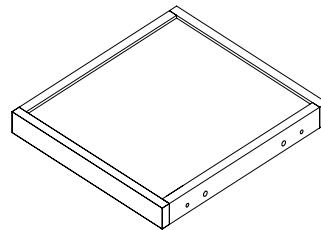
Your Chef Work and Storage station is now ready for years of service.

CHEF KITCHEN WORK STATION #1955

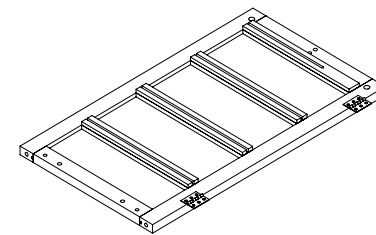
ASSEMBLY INSTRUCTION



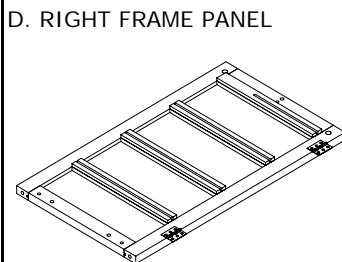
1 each



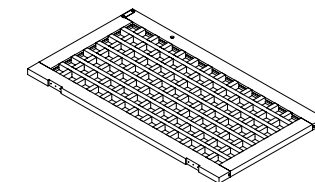
1 each



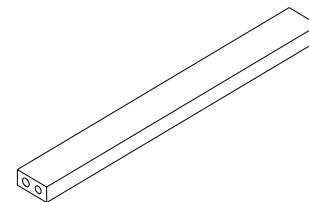
1 each



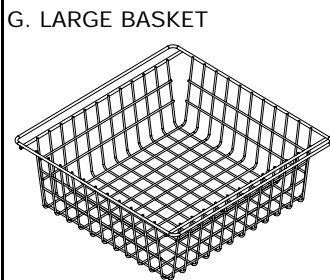
1 each



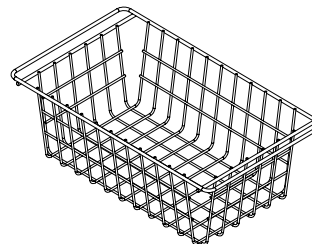
2 each



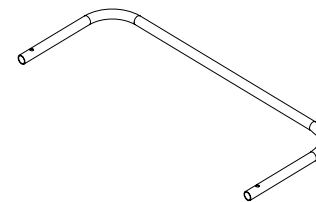
1 each



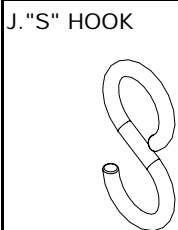
3 each



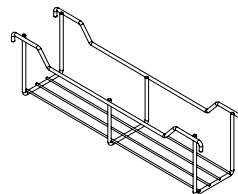
1 each



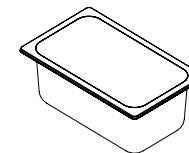
1 each



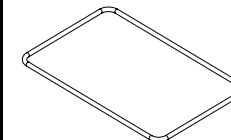
4 each



1 each

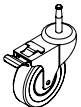


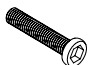
1 each





1 each


HARDWARE LIST


M. BRAKE WHEEL

 4 each


N. SCREW JCA

 6 each


O. SCREW JCB

 2 each


P. CAM SCREW

 4 each


Q. CAM LOCK

 4 each


R. SCREW

 12 each


S. WASHER

 4 each

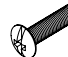
T. WOODEN DOWEL

 4 each


U. WOODEN DOWEL

 6 each


V. WRENCH

 1 each

X. WASHER

 4 each

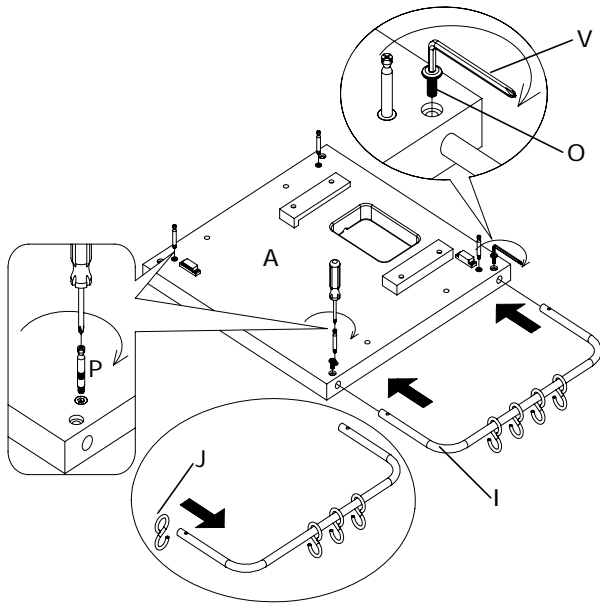
Y. DOOR KNOB

 2 each

Z. KNOB BOLT

 2 each

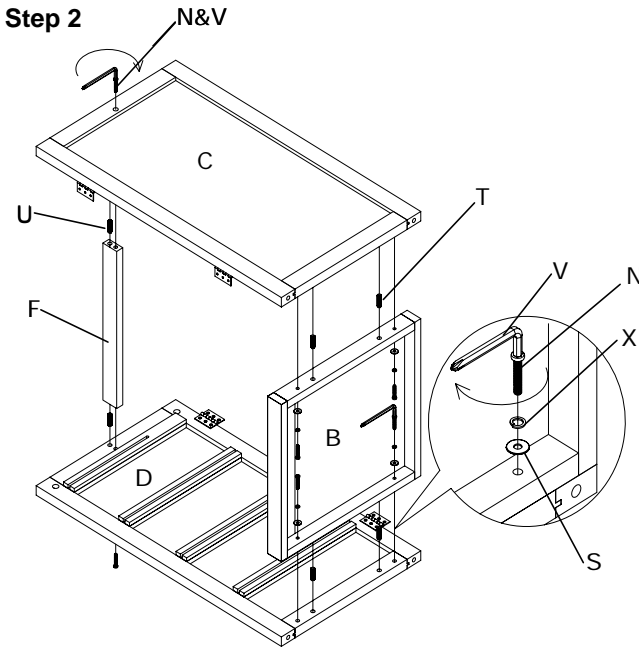
Za. WOODEN CAP

 2 each

Zb. WOODEN CAP

 2 each

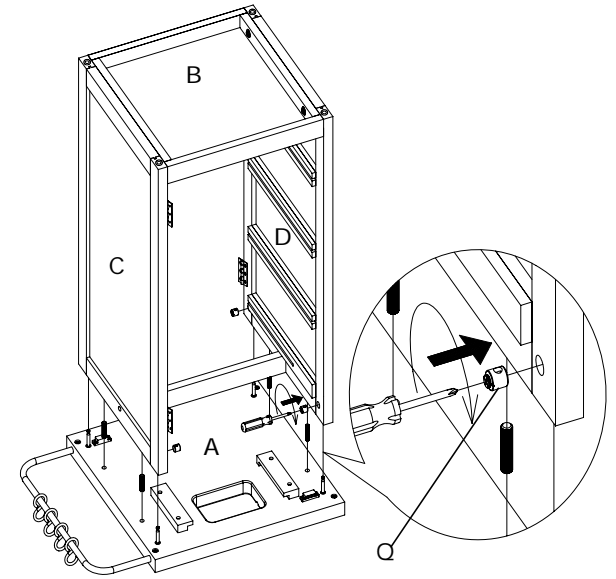
Step 1



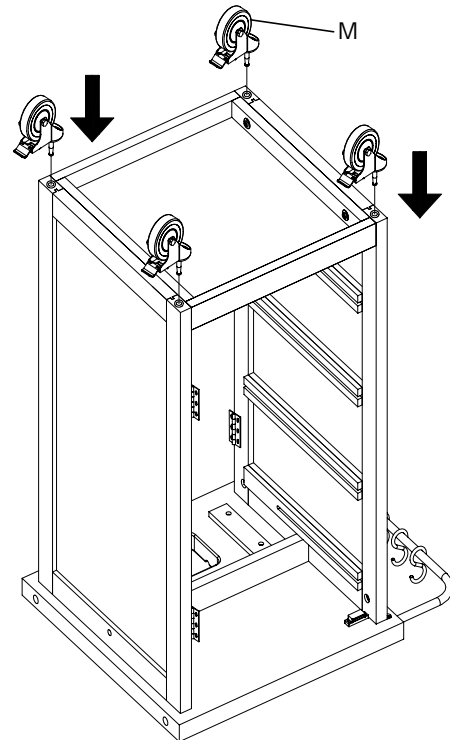
Step 2



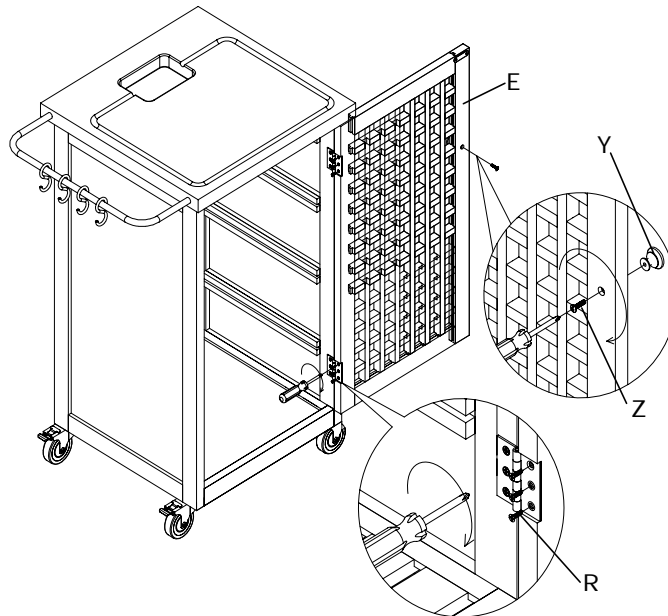
Step 3



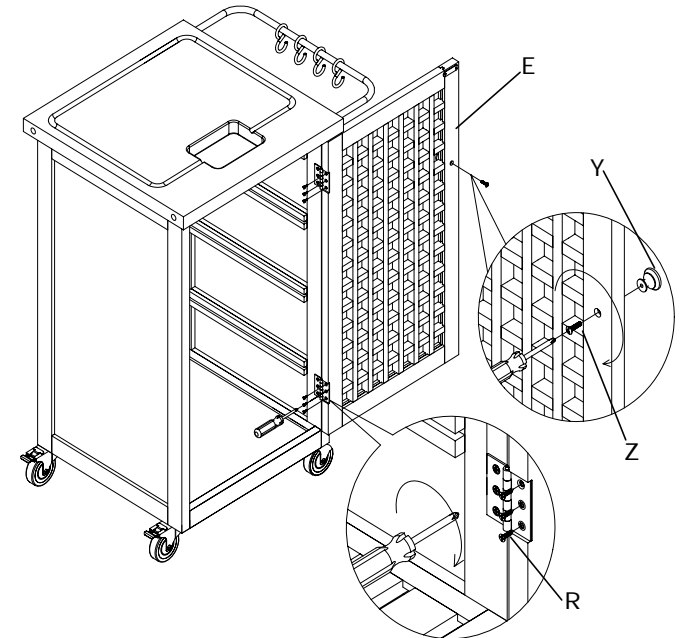
Step 4



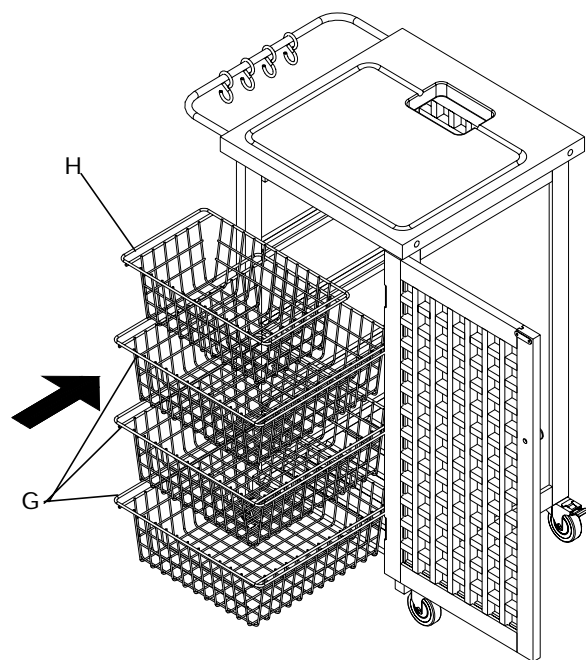
Step 5



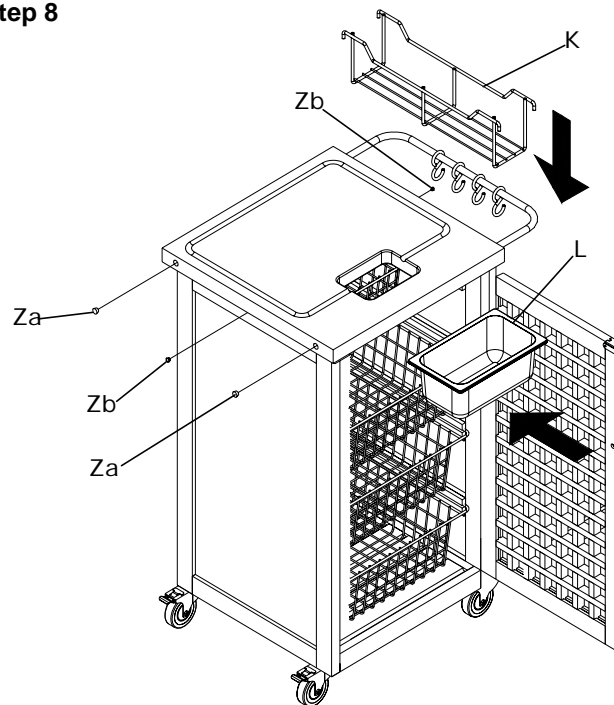
Step 6



Step 7



Step 8



Step 9

